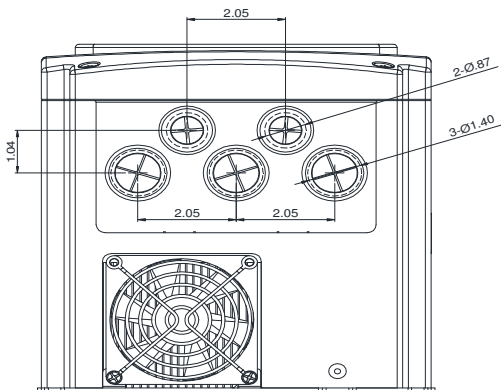
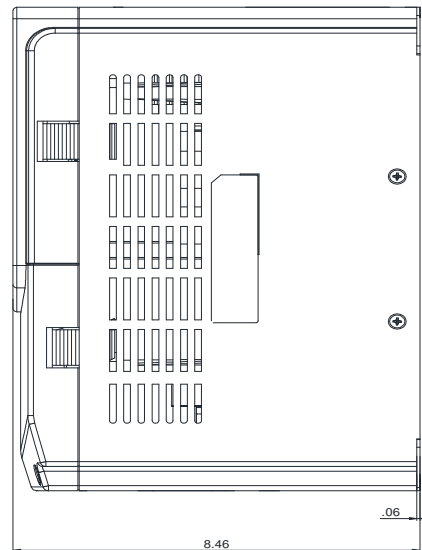
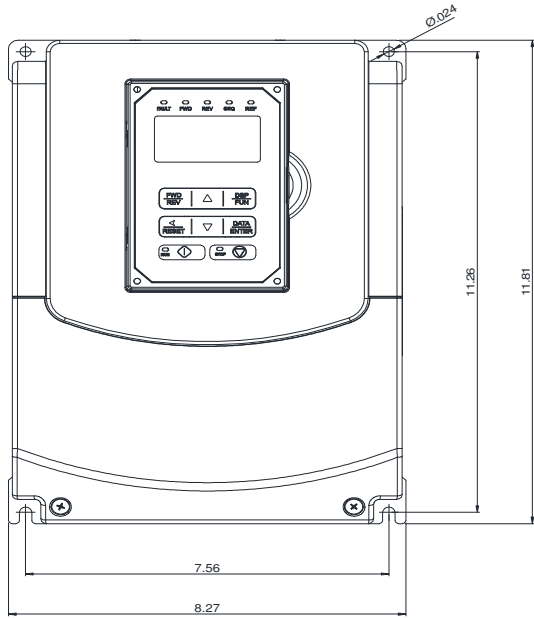


GENERAL DATASHEET VARIABLE SPEED DRIVE

| | | | | | | |
|----------------------------|-------------|-----------|-----------|---|---------------------|-----------------|
| Series A510 | | | | MODEL# A510-2010-C3-UE | | |
| ISSUED 2/10/2020 | | | | ENCLOSURE/ FRAME NEMA 1 (IP20) / F3 | | |
| INPUT AMPS | | | | AC INPUT VOLTAGE | AC INPUT FREQUENCY | AC INPUT PHASE |
| HD (CT) | ND (VT) | | | | | |
| 34.5 | 41.7 | | | 200-240 | 50/60 | 3 |
| OUTPUT HP | | | | AC OUTPUT VOLTAGE | AC OUTPUT FREQUENCY | AC OUTPUT PHASE |
| OUTPUT AMPS | | | | | | |
| HD (CT) | ND (VT) | HD (CT) | ND (VT) | 0-240 | 0-599 | 3 |
| 10 | 15 | 33 | 42 | | | |



| | | | | |
|--------------|-------------|-------------|-----------------|-------------|
| Approved By: | Brian Smith | Drawing No: | A510-230-010-F3 | Revision: 1 |
|--------------|-------------|-------------|-----------------|-------------|