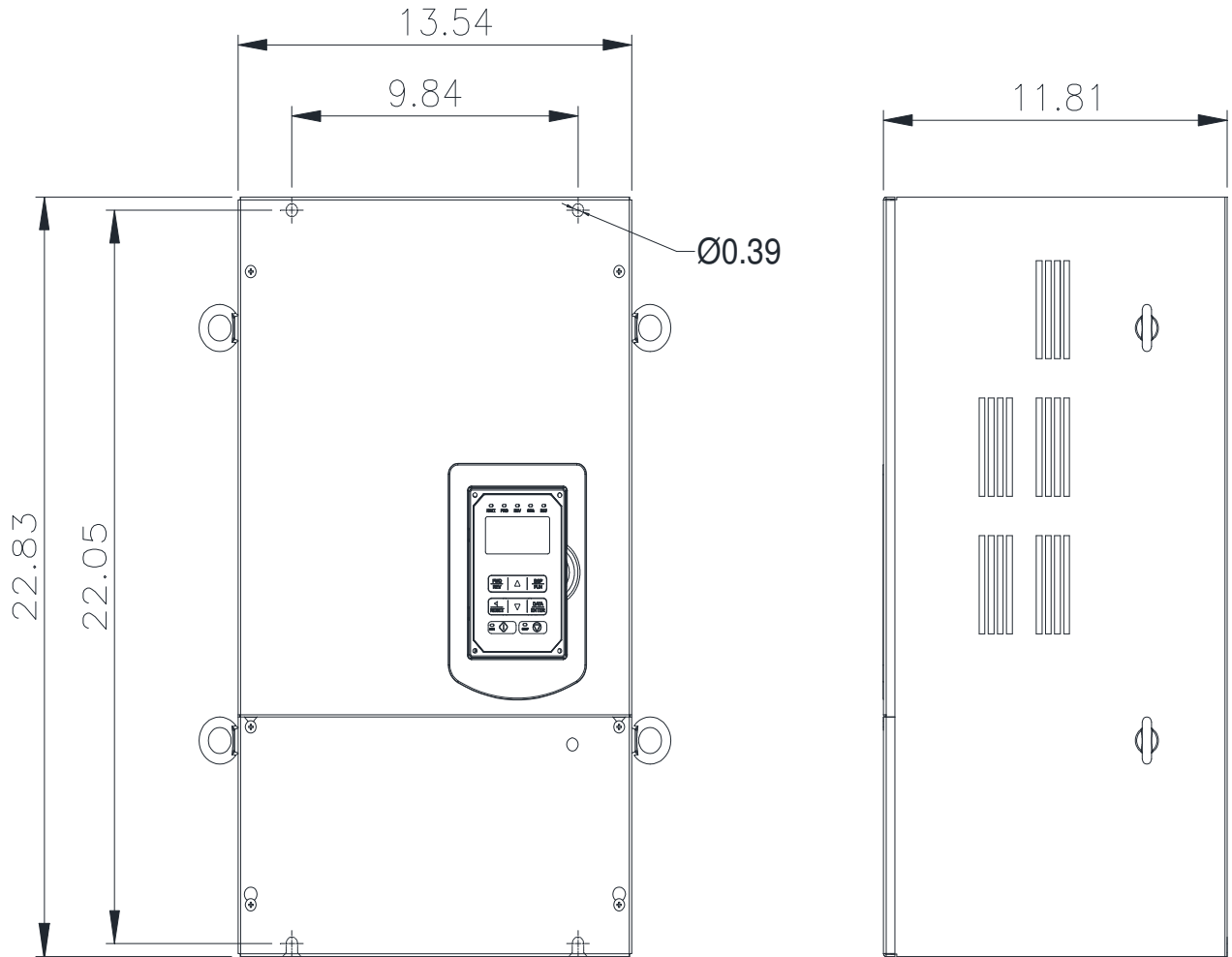


GENERAL DATASHEET VARIABLE SPEED DRIVE

Series A510				MODEL# A510-6100-C3-UE		
ISSUED 12/30/2019				ENCLOSURE/ FRAME Open Chassis (IP00) / F6		
INPUT AMPS				AC INPUT VOLTAGE	AC INPUT FREQUENCY	AC INPUT PHASE
HD (CT)		ND (VT)				
95		109		600-690	50/60	3
OUTPUT HP				AC OUTPUT VOLTAGE	AC OUTPUT FREQUENCY	AC OUTPUT PHASE
OUTPUT AMPS						
HD (CT)	ND (VT)	HD (CT)	ND (VT)	0-690	0-599	3
100	125	86	99			



Approved By:	Brian Smith	Drawing No:	A510-690-100-F6	Revision: 1
--------------	-------------	-------------	-----------------	-------------