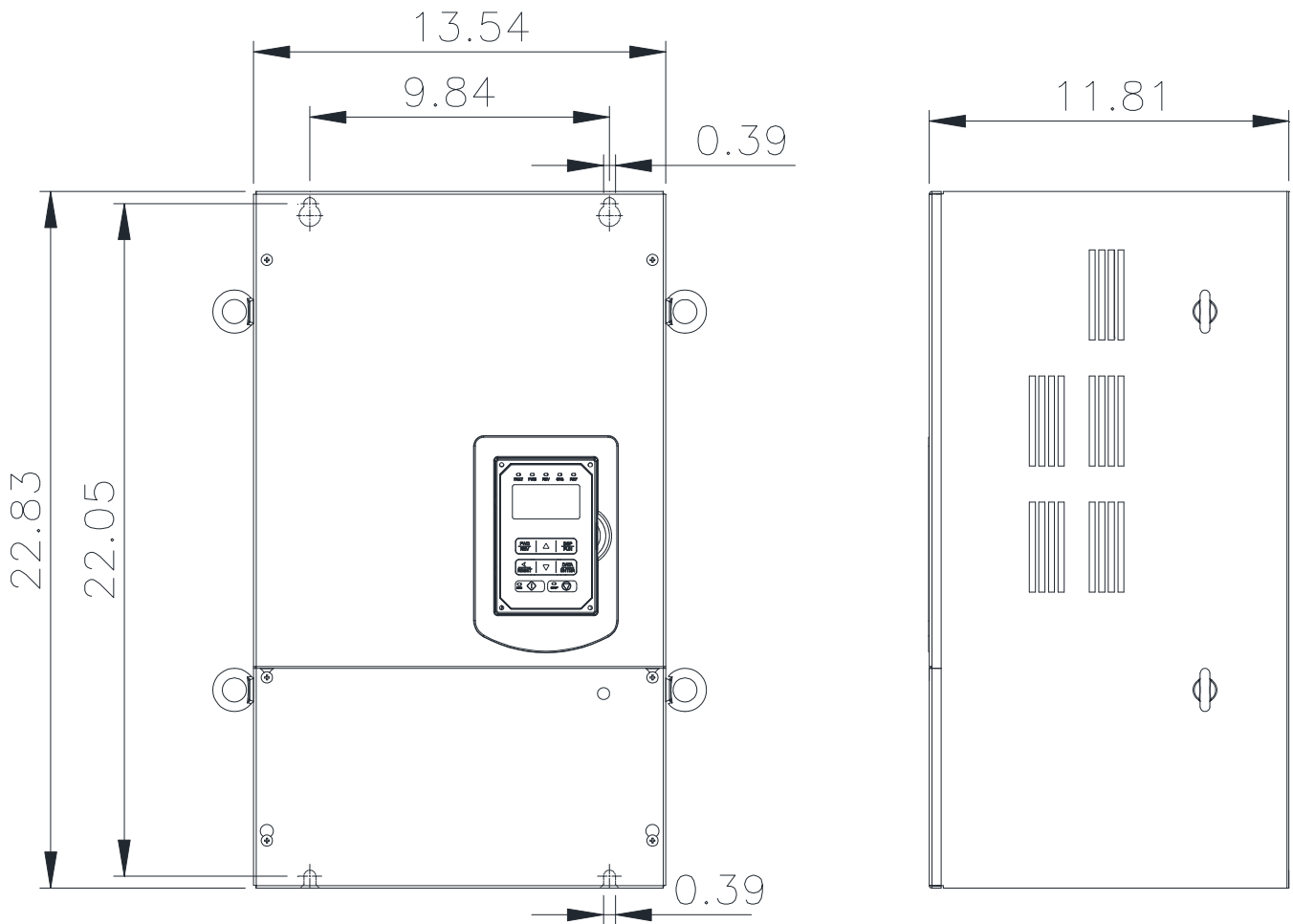


**GENERAL DATASHEET  
VARIABLE SPEED DRIVE**

SERIES <b>F510</b>		MODEL# <b>F510-2075-C3-U</b>		
ISSUED <b>8/26/2016</b>		ENCLOSURE/ FRAME <b>Open Chassis (IP00) / F6</b>		
INPUT AMPS ND (VT) <b>232</b>		AC INPUT VOLTAGE <b>200-240</b>	AC INPUT FREQUENCY <b>50/60</b>	AC INPUT PHASE <b>3</b>
OUTPUT HP ND (VT) <b>75</b>	OUTPUT AMPS ND (VT) <b>200</b>	AC OUTPUT VOLTAGE <b>0-240</b>	AC OUTPUT FREQUENCY <b>0-400</b>	AC OUTPUT PHASE <b>3</b>



Approved By:	Brian Smith	Drawing No:	F510-230-075-F6	Revision: 0
--------------	-------------	-------------	-----------------	-------------