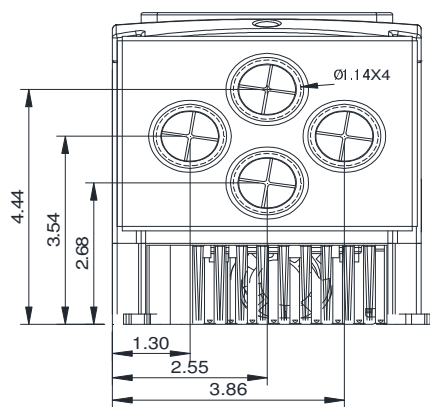
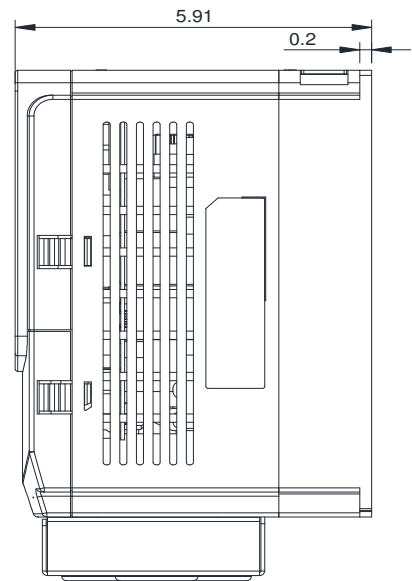
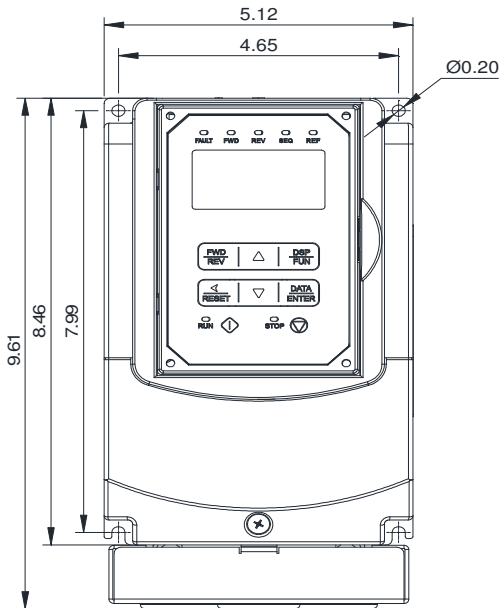


## GENERAL DATASHEET VARIABLE SPEED DRIVE

Series <b>A510</b>				MODEL# <b>A510-4002-C3-U</b>		
ISSUED <b>8/31/2016</b>				ENCLOSURE/ FRAME <b>NEMA 1 (IP20) / F1</b>		
INPUT AMPS				AC INPUT VOLTAGE <b>380-480</b>	AC INPUT FREQUENCY <b>50/60</b>	AC INPUT PHASE <b>3</b>
HD (CT) <b>5.3</b>		ND (VT) <b>5.9</b>				
OUTPUT HP				AC OUTPUT VOLTAGE <b>0-480</b>	AC OUTPUT FREQUENCY <b>0-599</b>	AC OUTPUT PHASE <b>3</b>
HD (CT) <b>2</b>		ND (VT) <b>3</b>				
OUTPUT AMPS		OUTPUT AMPS				
HD (CT) <b>4.2</b>		ND (VT) <b>5.4</b>				



Approved By:	Brian Smith	Drawing No:	A510-460-002-F1	Revision: 0
--------------	-------------	-------------	-----------------	-------------