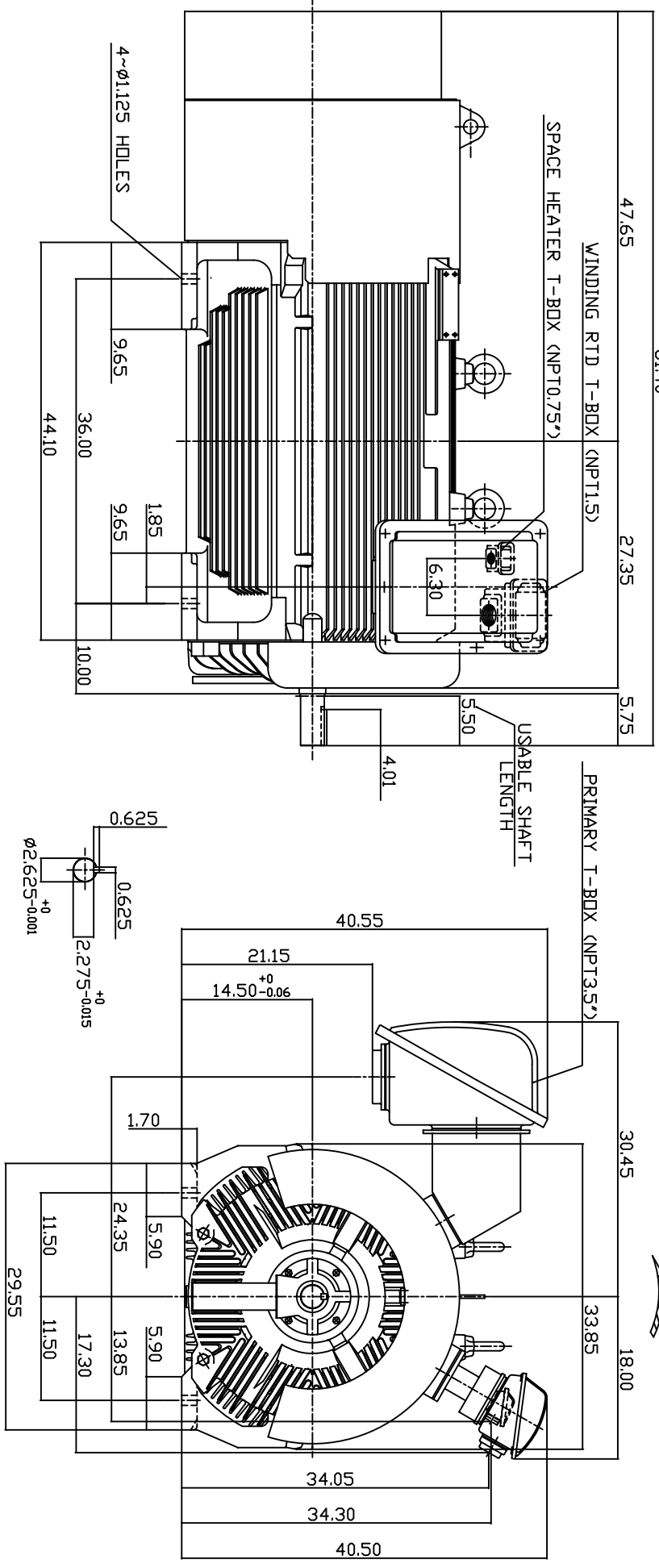


TYPE	OUTPUT		POLE	TIME RATING	VOLTAGE	Hz	SYN SPEED R.P.M.
	HP.	KW.					
AEHGTK	700	522	2	CDNT.	2300/4160	60	3600

TOTALLY ENCLOSED FAN-COOLED TYPE, SQUIRREL-CAGE ROTOR



- NOTE: 1. DIMENSIONS IN INCH.
- FRAME NO. 5810A
 - F CLASS INSULATION, S.F.1.15
 - FOR DIRECT FLEXIBLE COUPLING
 - WITH SPACE HEATER 120 VOLT SINGLE PHASE 300 WATTS
 - 100 OHM PLATINUM WINDING RTD'S 2/PHASE
 - BEARING SIZE: DRIVE END: 6315C3
NON-DRIVE END: 6315M/C3 VL024
 - MOTOR APPROX. WEIGHT: 6600 LBS

D/W.N.	W.L.LIN	APR-17-2003
CHKD.	W.L.LIN	APR-17-2003
APPD.	C.WANG	APR-17-2003

DATE	MAY 6, 2004	OUTLINE DIMENSIONS
CATALOG NO.	KG7002	3-PHASE INDUCTION MOTOR
		DWG NO. 3A040T4591
		REV: 00

TV-66C