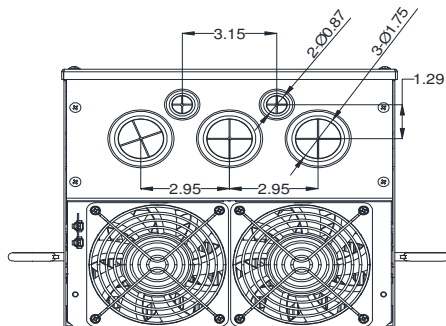
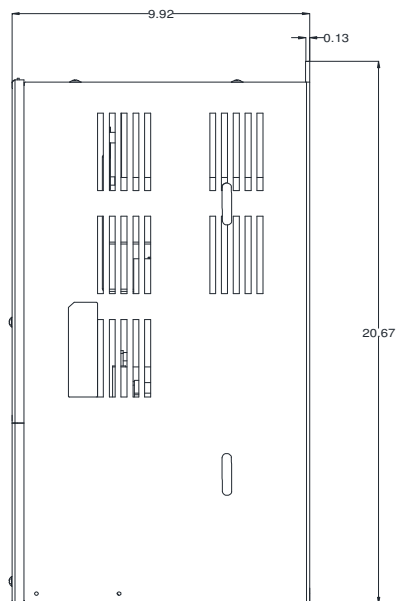
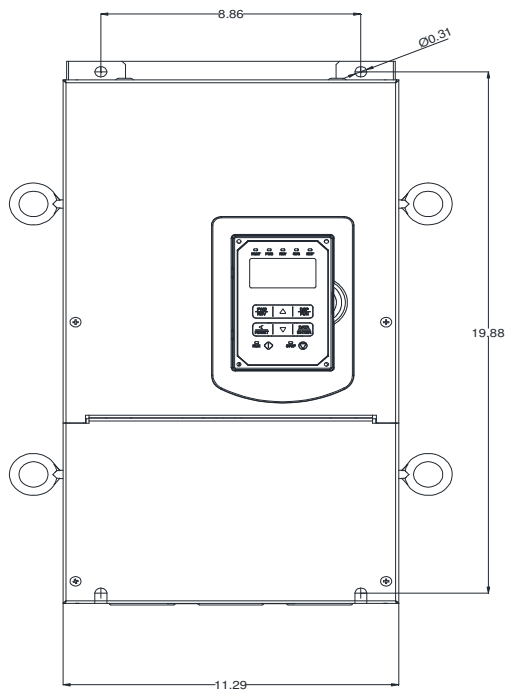


GENERAL DATASHEET VARIABLE SPEED DRIVE

| | | | | | |
|----------------------------|------------|-------------------|---------------------|---|--------------|
| Series A510 | | | | MODEL# A510-2040-C3-U | |
| ISSUED 8/30/2016 | | | | ENCLOSURE/ FRAME NEMA 1 (IP20) / F5 | |
| INPUT AMPS | | AC INPUT VOLTAGE | AC INPUT FREQUENCY | AC INPUT PHASE | |
| HD (CT) | ND (VT) | | | | |
| 125 | 150 | 200-240 | 50/60 | 3 | |
| OUTPUT HP | | AC OUTPUT VOLTAGE | AC OUTPUT FREQUENCY | AC OUTPUT PHASE | |
| OUTPUT AMPS | | | | | |
| HD (CT) | ND (VT) | HD (CT) | ND (VT) | | |
| 40 | 50 | 115 | 138 | 0-240 | 0-599 |



| | | | | |
|--------------|-------------|-------------|-----------------|-------------|
| Approved By: | Brian Smith | Drawing No: | A510-230-040-F5 | Revision: 0 |
|--------------|-------------|-------------|-----------------|-------------|