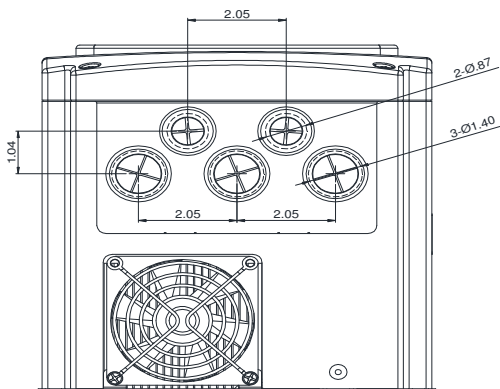
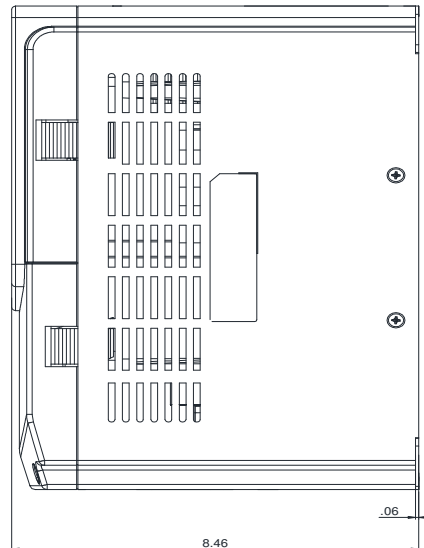
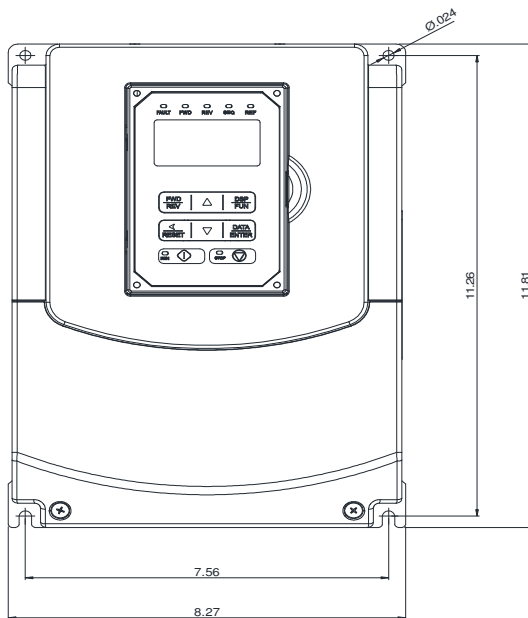


## GENERAL DATASHEET VARIABLE SPEED DRIVE

|                           |          |            |            |   |                     |                 |
|---------------------------|----------|------------|------------|---|---------------------|-----------------|
| Series<br><b>A510</b>     |          |            |            | MODEL#<br><b>A510-5005-C3-U</b>               |                     |                 |
| ISSUED<br><b>9/6/2016</b> |          |            |            | ENCLOSURE/ FRAME<br><b>NEMA 1 (IP20) / F3</b> |                     |                 |
| INPUT AMPS                |          |            |            | AC INPUT VOLTAGE                              | AC INPUT FREQUENCY  | AC INPUT PHASE  |
| HD (CT)                   |          | ND (VT)    |            |   |                     |                 |
| <b>7.3</b>                |          | <b>9.7</b> |            | <b>500-600</b>                                | <b>50/60</b>        | <b>3</b>        |
| OUTPUT HP                 |          |            |            | AC OUTPUT VOLTAGE                             | AC OUTPUT FREQUENCY | AC OUTPUT PHASE |
| OUTPUT AMPS               |          |            |            |   |                     |                 |
| HD (CT)                   | ND (VT)  | HD (CT)    | ND (VT)    | <b>500-600</b>                                | <b>0-599</b>        | <b>3</b>        |
| <b>5</b>                  | <b>5</b> | <b>6.6</b> | <b>8.8</b> |   |                     |                 |



|              |             |             |                 |             |
|--------------|-------------|-------------|-----------------|-------------|
| Approved By: | Brian Smith | Drawing No: | A510-575-005-F3 | Revision: 0 |
|--------------|-------------|-------------|-----------------|-------------|