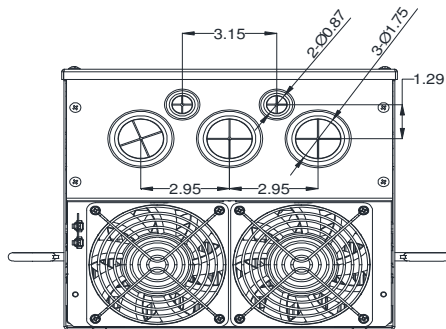
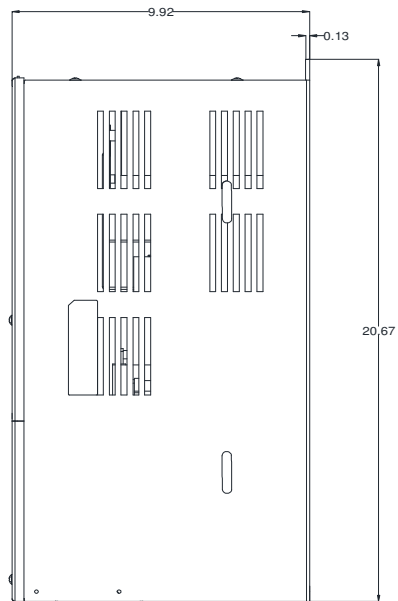
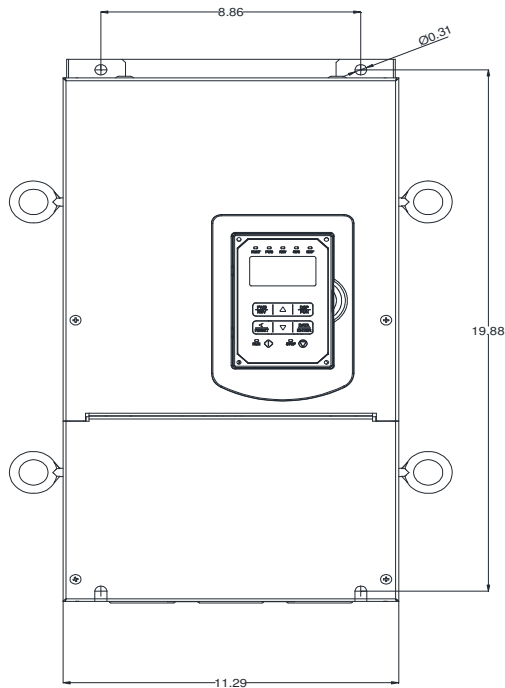


GENERAL DATASHEET VARIABLE SPEED DRIVE

Series A510				MODEL# A510-2040-C3-UE	
ISSUED 12/30/2019				ENCLOSURE/ FRAME NEMA 1 (IP20) / F5	
INPUT AMPS		AC INPUT VOLTAGE	AC INPUT FREQUENCY	AC INPUT PHASE	
HD (CT)	ND (VT)				
125	150	200-240	50/60	3	
OUTPUT HP		AC OUTPUT VOLTAGE	AC OUTPUT FREQUENCY	AC OUTPUT PHASE	
OUTPUT AMPS					
HD (CT)	ND (VT)	HD (CT)	ND (VT)		
40	50	115	138	0-240	0-599



Approved By:	Brian Smith	Drawing No:	A510-230-040-F5	Revision: 1
--------------	-------------	-------------	-----------------	-------------