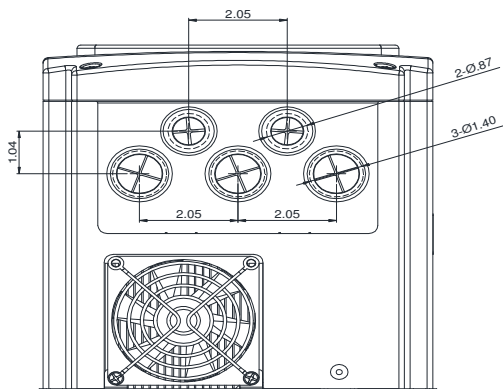
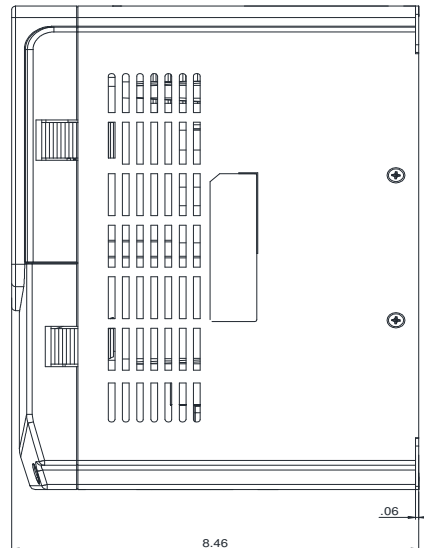
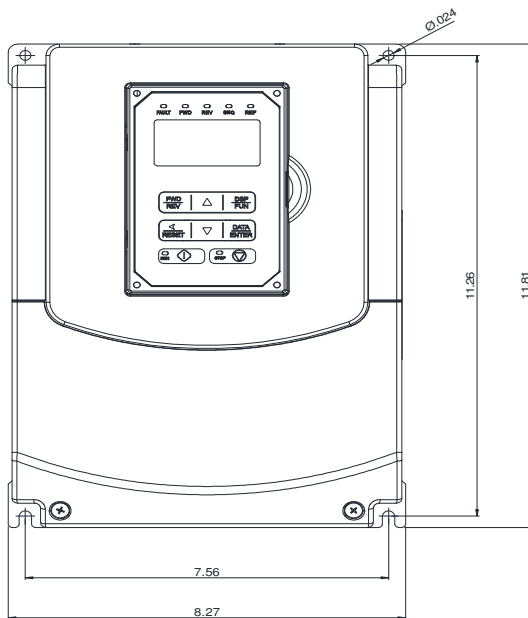


GENERAL DATASHEET VARIABLE SPEED DRIVE

Series A510				MODEL# A510-5005-C3-UE		
ISSUED 12/30/2019				ENCLOSURE/ FRAME NEMA 1 (IP20) / F3		
INPUT AMPS				AC INPUT VOLTAGE	AC INPUT FREQUENCY	AC INPUT PHASE
HD (CT)		ND (VT)				
7.3		9.7		500-600	50/60	3
OUTPUT HP				AC OUTPUT VOLTAGE	AC OUTPUT FREQUENCY	AC OUTPUT PHASE
HD (CT)		ND (VT)				
5		5		500-600	0-599	3
HD (CT)		ND (VT)				
5		5				



Approved By:	Brian Smith	Drawing No:	A510-575-005-F3	Revision: 1
--------------	-------------	-------------	-----------------	-------------