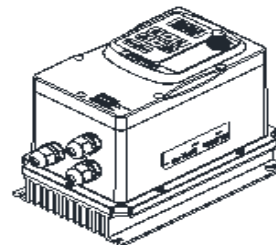
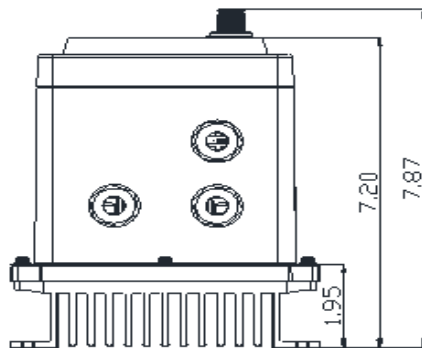
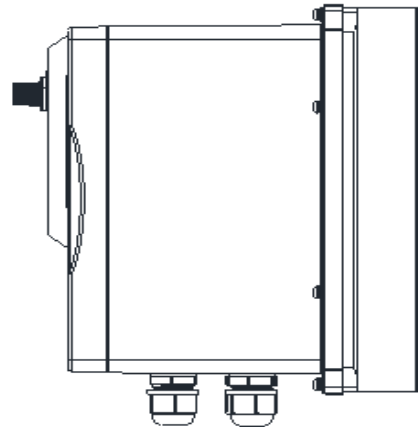
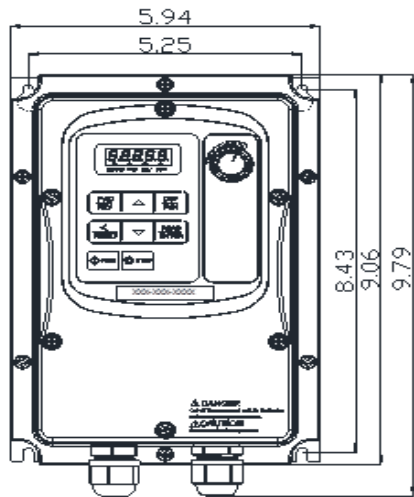


GENERAL DATASHEET VARIABLE SPEED DRIVE

SERIES E510		MODEL# E510-201-HN4R-U		
ISSUED 4/18/2017		ENCLOSURE/ FRAME NEMA 4/4X (IP66) / Frame 1 - INDOOR USE ONLY		
SINGLE PHASE INPUT AMPS HD (CT) 12		AC INPUT VOLTAGE 200-240	AC INPUT FREQUENCY 50/60	AC INPUT PHASE 1/3
THREE PHASE INPUT AMPS HD (CT) 6.5				
OUTPUT HP HD (CT) 1	OUTPUT AMPS HD (CT) 4.5	AC OUTPUT VOLTAGE 0-240	AC OUTPUT FREQUENCY 0-599	AC OUTPUT PHASE 3



Approved By:	Brian Smith	Drawing No:	F510-230-001-F1	Revision: 0
--------------	-------------	-------------	-----------------	-------------