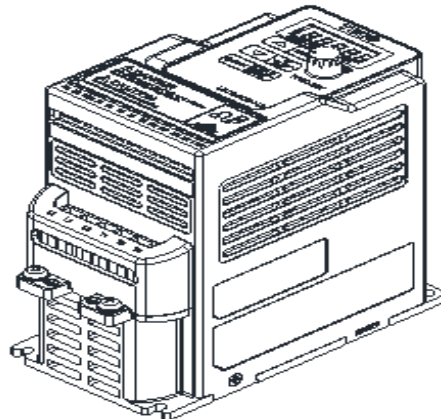
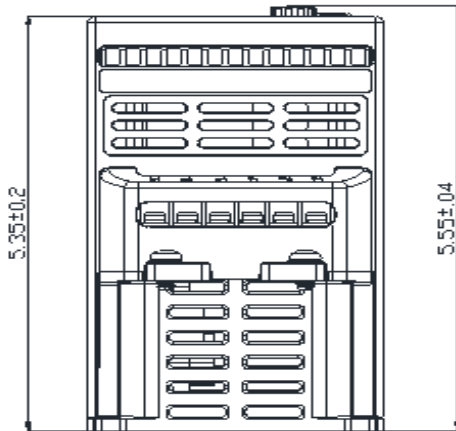
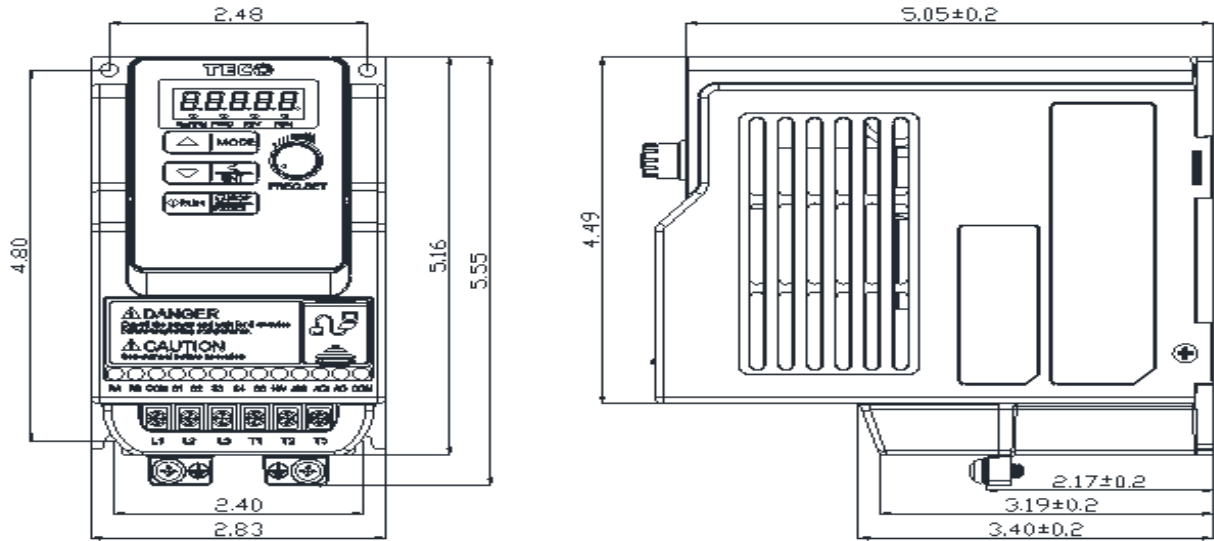


GENERAL DATASHEET VARIABLE SPEED DRIVE

Series L510		MODEL# L510-1P5-H1-U		
ISSUED 8/7/2017		ENCLOSURE/ FRAME Chassis (IP20/00)/ F1		
INPUT AMPS HD (CT) 13		AC INPUT VOLTAGE 115	AC INPUT FREQUENCY 50/60	AC INPUT PHASE 1
OUTPUT HP HD (CT) 0.5	OUTPUT AMPS HD (CT) 2.6	AC OUTPUT VOLTAGE 0-230	AC OUTPUT FREQUENCY 0-599	AC OUTPUT PHASE 3



Approved By:	Brian Smith	Drawing No:	L510-115-1P5-F1	Revision: 0
--------------	-------------	-------------	-----------------	-------------