

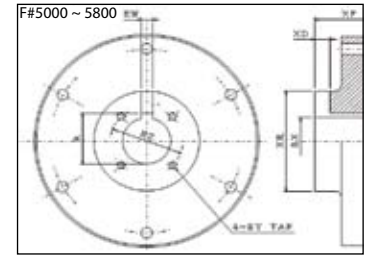
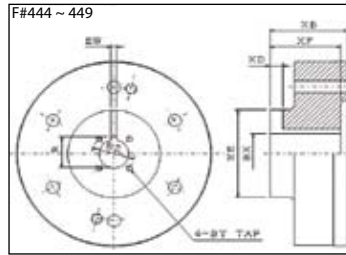
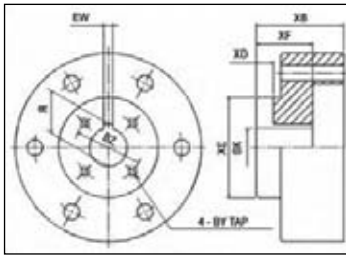
COUPLING KITS WPI

FOR VERTICAL HOLLOW SHAFT MOTORS

Effective 07-08-18
Supersedes 03-24-17

Notes:

1. Tolerance on BX dimensions up to and including 1.500 inches in diameter:
+0.001 inches, -0.000 inches; Larger than 1.500 inches diameter: +0.0015 in., -0.0000 in.
2. Dimension EW tolerance: +0.002 inches, -0.000 inches.
3. Dimension R tolerance: +0.010 inches, -0.000 inches.
4. **"*"** in the table denotes the standard coupling size for each frame.
5. One coupling is included with motor price. If purchased separately use list pricing.
6. Please consult Application Specialist for listings not shown.
7. Notice coupling part numbers have changed from 2015/2016 Pricebook; New design.



FRAME	BX	BY	BZ	EW	R	XB	XD	XE	XF	PART NO.	LIST PRICE (\$)
210TP	0.751	NO. 10-32 UNF	1.375	0.188	0.845	1.750	0.406	2.000	1.125	31010D6871903	460
	0.876	NO. 10-32 UNF	1.375	0.188	0.970	1.750	0.406	2.000	1.125	31010D6872004	
	0.938	NO. 10-32 UNF	1.375	0.250	1.078	1.750	0.406	2.000	1.125	31010D6872101	
	*1.001	NO. 10-32 UNF	1.375	0.250	1.126	1.750	0.406	2.000	1.125	31010D6872209	
250TP/ 280TP	0.751	NO. 10-32 UNF	1.375	0.188	0.845	2.170	0.410	2.250	1.230	31010D6872306	613
	0.876	NO. 10-32 UNF	1.375	0.188	0.970	2.170	0.410	2.250	1.230	31010D6872403	
	*1.001	NO. 10-32 UNF	1.375	0.250	1.126	2.170	0.410	2.250	1.230	31010D6872501	
	1.188	1/4"-20 UNC	1.750	0.250	1.313	2.170	0.410	2.250	1.230	31010D6872608	
320TP/ 360TP	1.251	1/4"-20 UNC	1.750	0.250	1.376	2.170	0.410	2.250	1.230	31010D6872705	920
	1.001	NO. 10-32 UNF	1.375	0.250	1.126	2.540	0.410	2.875	1.540	31010D6872802	
	*1.188	1/4"-20 UNC	1.750	0.250	1.313	2.540	0.410	2.875	1.540	31010D6872900	
	1.251	1/4"-20 UNC	1.750	0.250	1.376	2.540	0.410	2.875	1.540	31010D6873001	
400TP	1.438	1/4"-20 UNC	2.125	0.375	1.625	2.540	0.470	2.875	1.540	31010D6873108	1,278
	1.501	1/4"-20 UNC	2.125	0.375	1.688	2.540	0.470	2.875	1.540	31010D6873205	
	1.188	1/4"-20 UNC	1.750	0.250	1.313	2.760	0.530	3.150	1.500	31010D6873302	
	1.251	1/4"-20 UNC	1.750	0.250	1.376	2.760	0.530	3.150	1.500	31010D6873400	
444TP/ 445TP	1.438	1/4"-20 UNC	2.125	0.375	1.625	2.760	0.530	3.150	1.500	31010D6873507	2,150
	*1.501	1/4"-20 UNC	2.125	0.375	1.688	2.760	0.530	3.150	1.500	31010D6873604	
	1.688	1/4"-20 UNC	2.500	0.375	1.891	2.760	0.530	3.150	1.500	31010D6873701	
	1.751	1/4"-20 UNC	2.500	0.375	1.954	2.760	0.530	3.150	1.500	31010D6873809	
445TP/ 447TP	1.188	1/4"-20 UNC	1.750	0.250	1.304	3.169	0.409	3.740	2.875	3A010C2390104	2,350
	1.251	1/4"-20 UNC	1.750	0.250	1.367	3.169	0.409	3.740	2.875	3A010C2390201	
	1.438	1/4"-20 UNC	2.125	0.375	1.605	3.169	0.531	3.740	2.875	3A010C2390309	
	*1.501	1/4"-20 UNC	2.125	0.375	1.669	3.169	0.531	3.740	2.875	3A010C2390406	
445TP20 ^(A) / 447TP ^(B) / 449TP ^(C)	1.688	1/4"-20 UNC	2.500	0.375	1.859	3.169	0.531	3.740	2.875	3A010C2390503	2,350
	1.751	1/4"-20 UNC	2.500	0.375	1.922	3.169	0.531	3.740	2.875	3A010C2390601	
	1.938	1/4"-20 UNC	2.500	0.500	2.160	3.169	0.689	3.740	2.875	3A010C2390708	
	1.438	1/4"-20 UNC	2.125	0.375	1.605	3.559	0.531	4.725	3.071	3A010C2390805	
	*1.501^(A)	1/4"-20 UNC	2.125	0.375	1.669	3.559	0.531	4.725	3.071	3A010C2390902	
	*1.688^(B)	1/4"-20 UNC	2.500	0.375	1.859	3.559	0.531	4.725	3.071	3A010C2391003	
	1.751	1/4"-20 UNC	2.500	0.375	1.922	3.559	0.531	4.725	3.071	3A010C2391101	
	*1.938^(C)	1/4"-20 UNC	2.500	0.500	2.160	3.559	0.689	4.725	3.071	3A010C2391208	
	2.001	3/8"-16 UNC	3.250	0.500	2.223	3.559	0.689	4.725	3.071	3A010C2391305	
	2.063	3/8"-16 UNC	3.250	0.500	2.287	3.559	0.689	4.725	3.071	3A010C2391402	
2.126	3/8"-16 UNC	3.250	0.500	2.350	3.559	0.689	4.725	3.071	3A010C2391500		
2.188	3/8"-16 UNC	3.250	0.500	2.414	3.559	0.689	4.725	3.071	3A010C2391607		
2.251	3/8"-16 UNC	3.250	0.500	2.477	3.559	0.689	4.725	3.071	3A010C2391704		
2.376	3/8"-16 UNC	3.250	0.625	2.651	3.559	0.815	4.725	3.071	3A010C2391801		
2.438	3/8"-16 UNC	3.250	0.625	2.714	3.559	0.815	4.725	3.071	3A010C2391909		
2.501	3/8"-16 UNC	3.250	0.625	2.778	3.559	0.815	4.725	3.071	3A010C2392000		
5000 ^(A) / 5800 ^(B)	1.688	1/4"-20 UNC	2.500	0.375	1.859	-	0.531	4.725	3.071	3A711C1371209X001	2,650
	1.938	1/4"-20 UNC	2.500	0.500	2.160	-	0.689	4.725	3.071	3A711C1371306X001	
	2.126	3/8"-16 UNC	3.250	0.500	2.350	-	0.689	4.725	3.071	3A711C1371403X001	
	*2.188^(A)	3/8"-16 UNC	3.250	0.500	2.414	-	0.689	4.725	3.071	3A711C1371501X001	
	2.251	3/8"-16 UNC	3.250	0.500	2.477	-	0.689	4.725	3.071	3A711C1370407X001	
	2.376	3/8"-16 UNC	3.250	0.625	2.651	-	0.815	4.725	3.071	3A711C1370300X001	
	*2.438^(B)	3/8"-16 UNC	3.250	0.625	2.714	-	0.815	4.725	3.071	3A711C1370202X001	
	2.501	3/8"-16 UNC	3.250	0.625	2.778	-	0.815	4.725	3.071	3A711C1370105X001	
BLANK1	3/8"-16 UNC	3.250	-	-	-	-	4.725	3.071	3A711C1370504X001		
BLANK2	-	-	-	-	-	-	4.725	3.071	3A711C1370601X001		

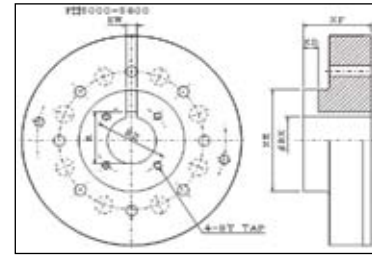
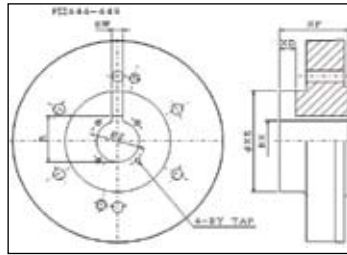
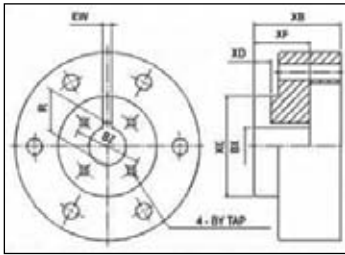
COUPLING KITS TEFC

FOR VERTICAL HOLLOW SHAFT MOTORS

Effective 07-08-18
Supersedes 03-24-17

Notes:

1. Tolerance on BX dimensions up to and including 1.500 inches diameter:
+0.001 inches, -0.000 inches; Larger than 1.500 inches diameter: +0.0015 in., -0.0000 in.
2. Dimension EW tolerance: +0.002 inches, -0.000 inches.
3. Dimension R tolerance: +0.010 inches, -0.000 inches.
4. "*" in the table denotes the standard coupling size for each frame.
5. One coupling is included with motor price. If purchased separately use list pricing.
6. Please consult Application Specialist for listings not shown.
7. Notice coupling part numbers have changed from 2015/2016 Pricebook; New design.

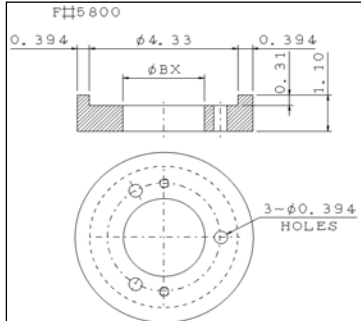
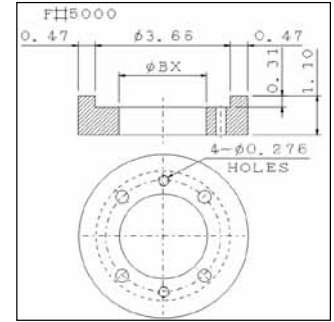
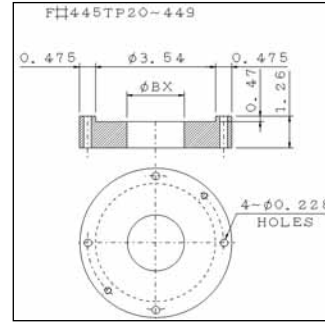
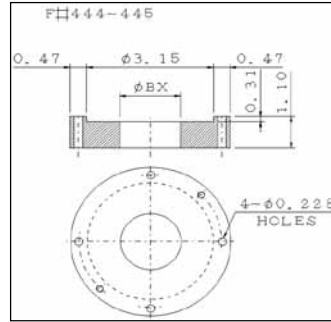
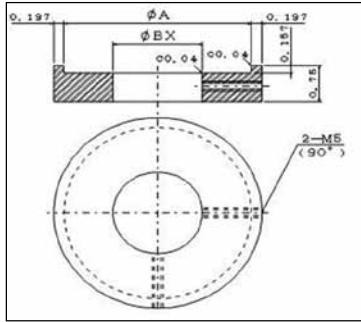


FRAME	BX	BY	BZ	EW	R	XB	XD	XE	XF	PART NO.	LIST PRICE (\$)
210TP	0.751	NO. 10-32 UNF	1.375	0.188	0.845	1.750	0.343	2.000	1.125	31010D6870206	460
	0.876	NO. 10-32 UNF	1.375	0.188	0.970	1.750	0.343	2.000	1.125	31010D6870303	
	*1.001	NO. 10-32 UNF	1.375	0.250	1.126	1.750	0.406	2.000	1.125	31010D6870401	
250TP	0.751	NO. 10-32 UNF	1.375	0.188	0.845	2.560	0.343	2.250	1.625	31010D6870508	613
	0.876	NO. 10-32 UNF	1.375	0.188	0.970	2.560	0.343	2.250	1.652	31010D6870605	
	*1.001	NO. 10-32 UNF	1.375	0.250	1.126	2.560	0.406	2.250	1.625	31010D6870702	
280TP	1.188	1/4"-20 UNC	1.750	0.250	1.313	2.560	0.406	2.250	1.652	31010D6870800	613
	0.876	NO. 10-32 UNF	1.375	0.188	0.970	2.560	0.343	2.250	1.652	31010D6870605	
	*1.001	NO. 10-32 UNF	1.375	0.250	1.126	2.560	0.406	2.250	1.625	31010D6870702	
	1.251	1/4"-20 UNC	1.750	0.250	1.376	2.560	0.406	2.250	1.652	31010D6870907	
320TP	1.001	NO. 10-32 UNF	1.375	0.250	1.126	3.331	0.406	2.875	2.331	31010D6871008	920
	*1.188	1/4"-20 UNC	1.750	0.250	1.313	3.331	0.406	2.875	2.331	31010D6871105	
	1.251	1/4"-20 UNC	1.750	0.250	1.376	3.331	0.406	2.875	2.331	31010D6871202	
	1.438	1/4"-20 UNC	2.125	0.375	1.625	3.331	0.531	2.875	2.331	31010D6871300	
360TP	*1.188	1/4"-20 UNC	1.750	0.250	1.313	3.331	0.406	2.875	2.331	31010D6871407	920
	1.251	1/4"-20 UNC	1.750	0.250	1.376	3.331	0.406	2.875	2.331	31010D6871504	
	1.438	1/4"-20 UNC	2.125	0.375	1.625	3.331	0.531	2.875	2.331	31010D6871601	
	1.501	1/4"-20 UNC	2.125	0.375	1.688	3.331	0.531	2.875	2.331	31010D6871709	
400TP	1.251	1/4"-20 UNC	2.125	0.375	1.688	3.543	0.531	3.150	2.441	Contact Factory	~
	1.438	1/4"-20 UNC	2.125	0.375	1.688	3.543	0.531	3.150	2.441	Contact Factory	~
	*1.501	1/4"-20 UNC	2.125	0.375	1.688	3.543	0.531	3.150	2.441	31010D6871806	2,150
	1.688	1/4"-20 UNC	2.500	0.375	1.891	-	0.531	3.740	2.874	Contact Factory	~
444TP/ 445TP	1.188	1/4"-20 UNC	1.750	0.250	1.304	-	0.409	3.740	2.874	3A711C1580100X001	2,150
	1.251	1/4"-20 UNC	1.750	0.250	1.367	-	0.409	3.740	2.874	3A711C1580207X001	
	1.438	1/4"-20 UNC	2.125	0.375	1.605	-	0.531	3.740	2.874	3A711C1580304X001	
	*1.501	1/4"-20 UNC	2.125	0.375	1.669	-	0.531	3.740	2.874	3A711C1580401X001	
	1.688	1/4"-20 UNC	2.500	0.375	1.859	-	0.531	3.740	2.874	3A711C1580509X001	
	1.751	1/4"-20 UNC	2.500	0.375	1.922	-	0.531	3.740	2.874	3A711C1580606X001	
447TP(A)/ 449TP(B)	1.938	1/4"-20 UNC	2.500	0.500	2.160	-	0.689	3.740	2.874	3A711C1580703X001	2,350
	1.438	1/4"-20 UNC	2.125	0.375	1.605	-	0.531	4.725	3.071	3A711C1590105X001	
	1.501	1/4"-20 UNC	2.125	0.375	1.669	-	0.531	4.725	3.071	3A711C1590202X001	
	*1.688(A)	1/4"-20 UNC	2.500	0.375	1.859	-	0.531	4.725	3.071	3A711C1590300X001	
	1.751	1/4"-20 UNC	2.500	0.375	1.922	-	0.531	4.725	3.071	3A711C1590407X001	
	*1.938(B)	1/4"-20 UNC	2.500	0.500	2.160	-	0.689	4.725	3.071	3A711C1590504X001	
	2.001	3/8"-16 UNC	3.250	0.500	2.223	-	0.689	4.725	3.071	3A711C1590601X001	
	2.063	3/8"-16 UNC	3.250	0.500	2.287	-	0.689	4.725	3.071	3A711C1590709X001	
	2.126	3/8"-16 UNC	3.250	0.500	2.350	-	0.689	4.725	3.071	3A711C1590806X001	
	2.188	3/8"-16 UNC	3.250	0.500	2.414	-	0.689	4.725	3.071	3A711C1590903X001	
	2.251	3/8"-16 UNC	3.250	0.500	2.477	-	0.689	4.725	3.071	3A711C1591004X001	
5000(A)/ 5800-4P(B)	2.376	3/8"-16 UNC	3.250	0.625	2.651	-	0.815	4.725	3.071	3A711C1591101X001	2,650
	2.438	3/8"-16 UNC	3.250	0.625	2.714	-	0.815	4.725	3.071	3A711C1591209X001	
	2.501	3/8"-16 UNC	3.250	0.625	2.778	-	0.815	4.725	3.071	3A711C1591306X001	
	1.501	1/4"-20 UNC	2.125	0.375	1.669	-	0.531	4.725	3.071	3A711C1600101X001	
	1.688	1/4"-20 UNC	2.500	0.375	1.859	-	0.531	4.725	3.071	3A711C1600208X001	
	1.938	1/4"-20 UNC	2.500	0.500	2.160	-	0.689	4.725	3.071	3A711C1600305X001	
5800-6P & ABOVE	2.126	3/8"-16 UNC	3.250	0.500	2.350	-	0.689	4.725	3.071	3A711C1600402X001	2,650
	*2.188(A)	3/8"-16 UNC	3.250	0.500	2.414	-	0.689	4.725	3.071	3A711C1600500X001	
	2.376	3/8"-16 UNC	3.250	0.625	2.651	-	0.815	4.725	3.071	3A711C1600607X001	
	*2.438(B)	3/8"-16 UNC	3.250	0.625	2.714	-	0.815	4.725	3.071	3A711C1600704X001	
5800-6P & ABOVE	1.501	1/4"-20 UNC	2.125	0.375	1.669	-	0.531	4.725	3.071	3A711C1630107X001	2,650
	1.688	1/4"-20 UNC	2.500	0.375	1.859	-	0.531	4.725	3.071	3A711C1630204X001	
	1.938	1/4"-20 UNC	2.500	0.500	2.160	-	0.689	4.725	3.071	3A711C1630301X001	
	2.126	3/8"-16 UNC	3.250	0.500	2.350	-	0.689	4.725	3.071	3A711C1630409X001	
	2.188	3/8"-16 UNC	3.250	0.500	2.414	-	0.689	4.725	3.071	3A711C1630506X001	
	2.376	3/8"-16 UNC	3.250	0.625	2.651	-	0.815	4.725	3.071	3A711C1630603X001	
*2.438	3/8"-16 UNC	3.250	0.625	2.714	-	0.815	4.725	3.071	3A711C1630701X001		

STEADY BUSHING KITS WPI

FOR VERTICAL HOLLOW SHAFT MOTORS

Effective 07-08-18
Supersedes 03-24-17



Notes:

1. See corresponding diagram for part detail.
2. Please consult Application Specialist for listings not shown.
3. Steady Bushing material is Bronze.
4. Kit includes hardware.
5. Notice steady bushing part numbers have changed from 2015/2016 Pricebook; New design.
6. Steady bushing kits are the same for WPI and TEFC for frames 449TP and smaller.
7. "*" in the table denotes the standard size for each frame.

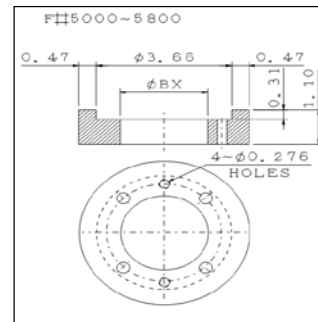
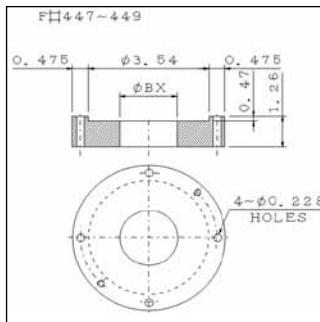
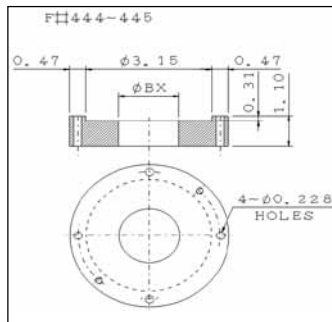
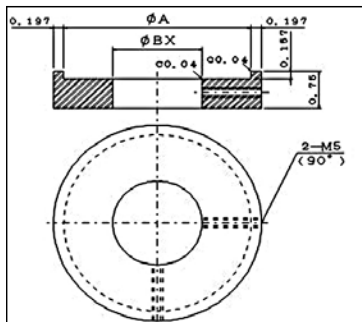
FRAME	DIMENSION		PART NO.	LIST PRICE (\$)
	A	BX		
210TP	1.77	0.751	31010D4974705	100
		0.876	31010D4974802	
		0.938	31010D4974900	
		*1.001	31010D4975001	
250TP	1.77	0.751	31010D4974705	100
		0.876	31010D4974802	
		*1.001	31010D4975001	
		1.188	31010D4975108	
		1.251	31010D4975205	
280TP	2.17	0.751	31010D4975302	100
		0.876	31010D4975400	
		1.001	31010D4975507	
		*1.188	31010D4975604	
		1.251	31010D4975701	
320TP	2.83	1.001	31010D4975809	130
		*1.188	31010D4975906	
		1.251	31010D4976007	
		1.438	31010D4976104	
360TP	3.03	1.501	31010D4976201	130
		1.001	31010D4976309	
		*1.188	31010D4976406	
		1.251	31010D4976503	
400TP	3.54	1.438	31010D4976601	150
		1.501	31010D4976708	
		*1.501	31010D4977101	
		1.688	31010D4977208	
		1.751	31010D4977305	

FRAME	DIMENSION		CATALOG NO.	LIST PRICE (\$)
	A	BX		
444TP/ 445TP	3.15	1.188	3A702D1611403X001	175
		1.251	3A702D1611501X001	
		1.438	3A702D1611608X001	
		*1.501	3A702D1611705X001	
		1.688	3A702D1611802X001	
		1.751	3A702D1611900X001	
445TP20 ^(A) / 447TP ^(B) / 449TP ^(C)	3.54	1.938	3A702D1612001X001	210
		1.438	3A702D1610105X001	
		*1.501^(A)	3A702D1610202X001	
		*1.688^(A)	3A702D1610300X001	
		1.751	3A702D1610407X001	
		*1.938^(C)	3A702D1610504X001	
		2.001	3A702D1610601X001	
		2.063	3A702D1610709X001	
		2.126	3A702D1610806X001	
		2.188	3A702D1610903X001	
5000	3.66	2.251	3A702D1611004X001	210
		2.376	3A702D1611101X001	
		2.438	3A702D1611209X001	
		2.501	3A702D1611306X001	
		1.688	3A702D1720601X001	
		1.938	3A702D1720709X001	
		2.126	3A702D1720806X001	
		*2.188	3A702D1720202X001	
5800	4.33	2.251	3A702D1720903X001	210
		2.376	3A702D1720300X001	
		2.438	3A702D1720407X001	
		2.501	3A702D1720504X001	
		2.126	3A702D1740602X001	
		2.188	3A702D1740505X001	
		2.251	3A702D1740408X001	
		2.376	3A702D1740301X001	
		*2.438	3A702D1740203X001	
		2.501	3A702D1740106X001	

STEADY BUSHING KITS TEFC

FOR VERTICAL HOLLOW SHAFT MOTORS

Effective 07-08-18
Supersedes 03-24-17



Notes:

1. See corresponding diagram for part detail.
2. Please consult Application Specialist for listings not shown.
3. Steady Bushing material is Bronze.
4. Kit includes hardware.
5. Steady bushing kits are the same for WPI and TEFC for frames 449TP and smaller.
6. "*" in the table denotes the standard size for each frame.

FRAME	DIMENSION		PART NO.	LIST PRICE (\$)
	A	BX		
210TP	1.77	0.751	31010D4974705	100
		0.876	31010D4974802	
		0.938	31010D4974900	
		*1.001	31010D4975001	
250TP	1.77	0.751	31010D4974705	100
		0.876	31010D4974802	
		*1.001	31010D4975001	
		1.188	31010D4975108	
280TP	2.17	1.251	31010D4975205	100
		0.751	31010D4975302	
		0.876	31010D4975400	
		1.001	31010D4975507	
320TP	2.83	*1.188	31010D4975604	130
		1.251	31010D4975701	
		1.438	31010D4975809	
		1.501	31010D4975906	
360TP	3.03	1.001	31010D4976007	130
		*1.188	31010D4976104	
		1.438	31010D4976201	
		1.501	31010D4976309	
400TP	3.54	*1.188	31010D4976406	150
		1.251	31010D4976503	
		1.438	31010D4976601	
		1.501	31010D4976708	
440TP	3.54	1.188	31010D4976805	150
		1.251	31010D4976902	
		1.438	31010D4977003	
		*1.501	31010D4977101	
		1.688	31010D4977208	
449TP	3.54	1.751	31010D4977305	150

FRAME	DIMENSION		CATALOG NO.	LIST PRICE (\$)
	A	BX		
444TP/ 445TP	3.15	1.188	3A702D1611403X001	175
		1.251	3A702D1611501X001	
		1.438	3A702D1611608X001	
		*1.501	3A702D1611705X001	
		1.688	3A702D1611802X001	
447TP ^(A) / 449TP ^(B)	3.54	1.751	3A702D1611900X001	210
		1.938	3A702D1612001X001	
		1.438	3A702D1610105X001	
		1.501	3A702D1610202X001	
		*1.688 ^(A)	3A702D1610300X001	
		1.751	3A702D1610407X001	
		*1.938 ^(B)	3A702D1610504X001	
		2.001	3A702D1610601X001	
		2.063	3A702D1610709X001	
		2.126	3A702D1610806X001	
5000 ^(A) / 5800 ^(B)	3.66	2.188	3A702D1610903X001	210
		2.251	3A702D1611004X001	
		2.376	3A702D1611101X001	
		2.438	3A702D1611209X001	
		2.501	3A702D1611306X001	
		1.688	3A702D1720601X001	
		1.938	3A702D1720709X001	
		2.126	3A702D1720806X001	
		*2.188 ^(A)	3A702D1720202X001	
2.251	3A702D1720903X001			
5800 ^(B)	3.66	2.376	3A702D1720300X001	210
		*2.438 ^(B)	3A702D1720407X001	
		2.501	3A702D1720504X001	